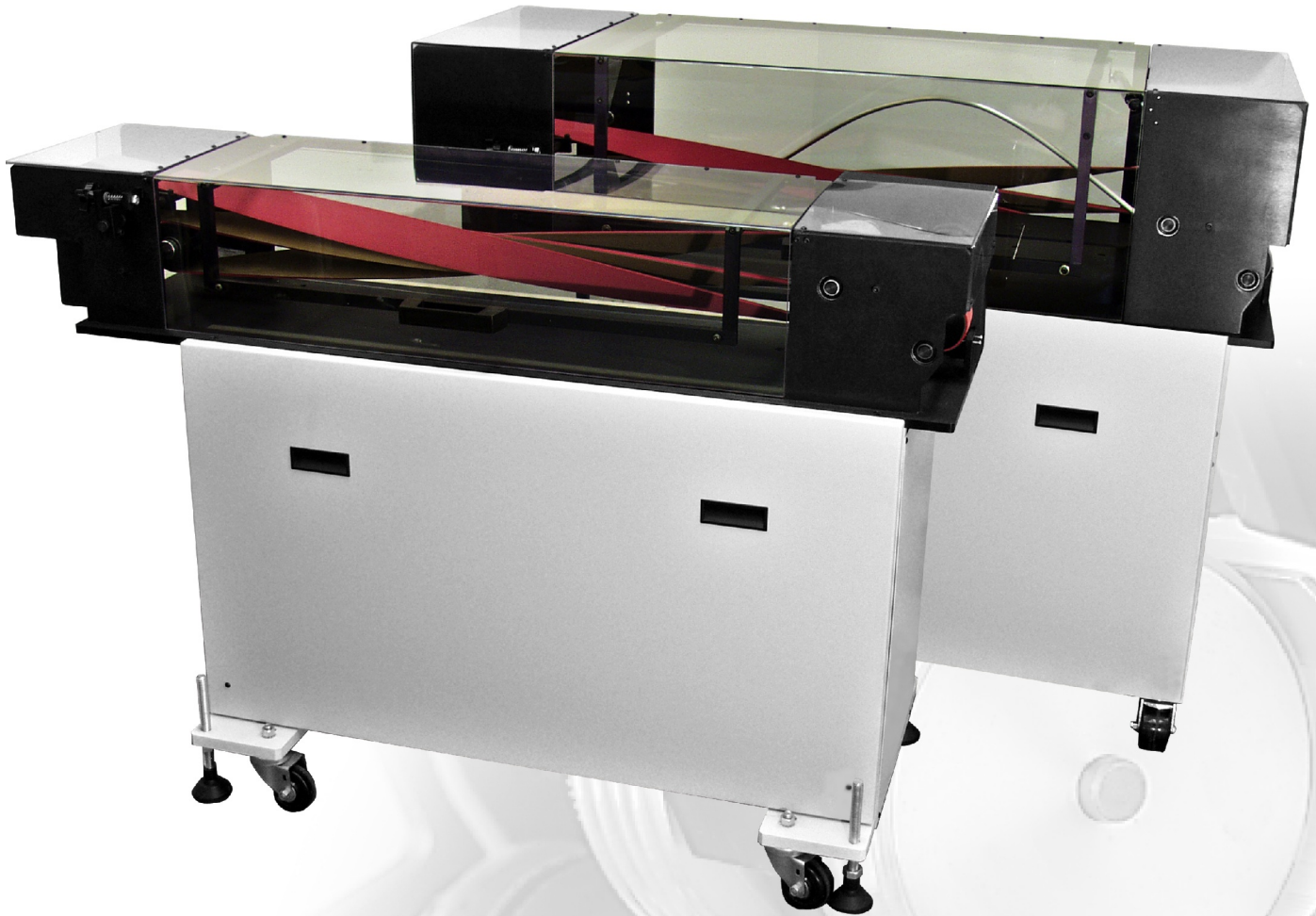


BELT TURNOVER SERIES



- ▶▶ RETURN ON INVESTMENT
- ▶▶ QUICK SETUP
- ▶▶ INFEEED IS ADJUSTABLE FOR THICK OR THIN PRODUCT
- ▶▶ VARIABLE SPEED
- ▶▶ LEFT OR RIGHT CONFIGURATION

TYPE OF UNIT: MATERIAL TRANSPORT

Belt Turnover Applications: Turning product over to create in-line applications

▶▶ For more information contact your authorized dealer at: 1-800-INSERTER(467-3783)

BELT TURNOVER

KEY FEATURES

SAFETY COVERS

Clear, durable lexan covers are designed to protect you and the product your transferring.

GUM BELTS

2 1/4" wide grip gum belts handle glossy products with ease.

OPEN COVER SENSOR

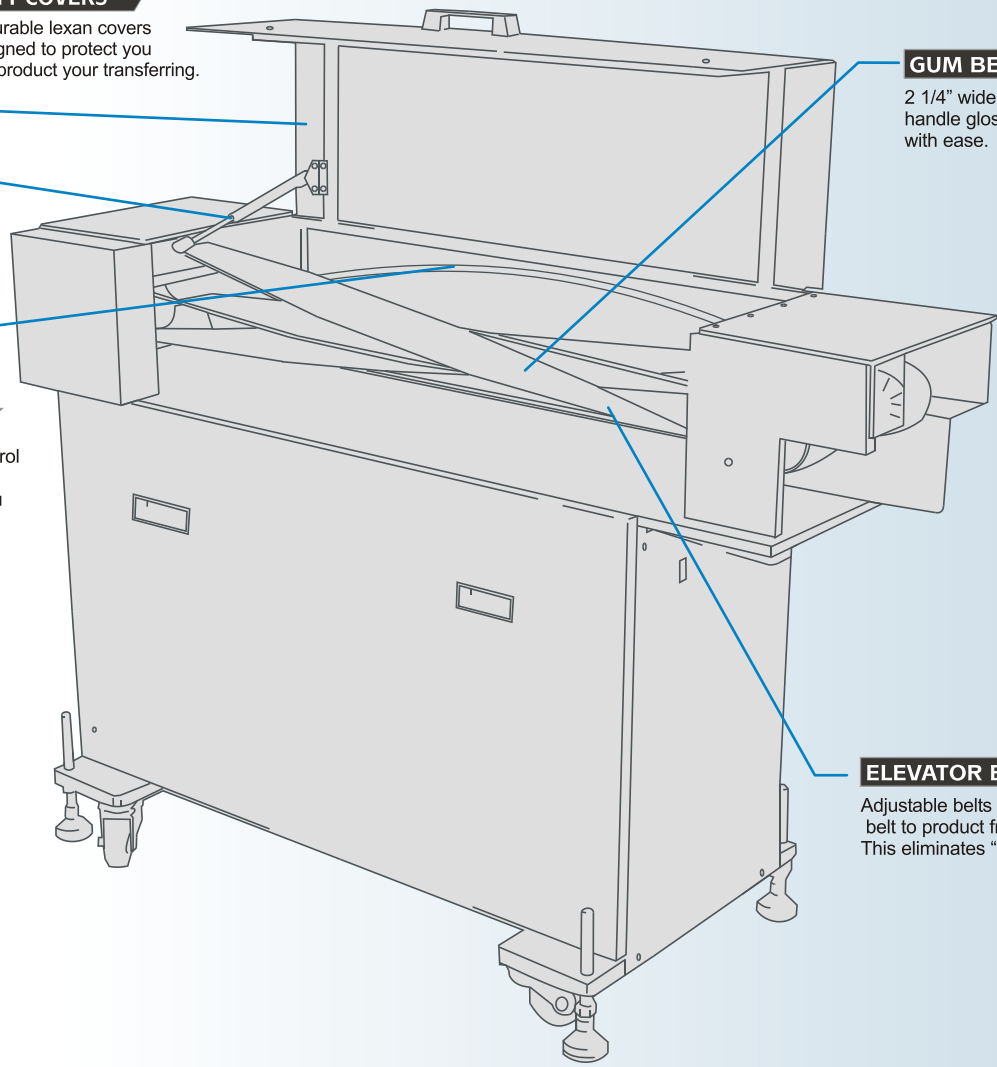
When the cover of the Belt Turnover is opened the machine automatically shuts down.

SUPPORT ROD

The Support Rod gets you more control over large product (up to 11" wide) maximizing the range of products you can feed.

ELEVATOR BELTS

Adjustable belts to increase belt to product friction. This eliminates "slip feeding".



TECHNICAL SPECIFICATIONS

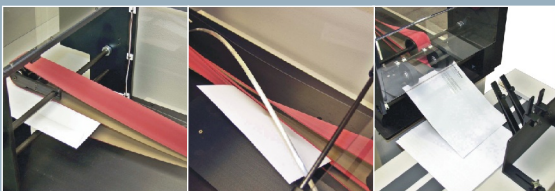
	BELT TURNOVER (6X9)	BELT TURNOVER (10X13)
Height Maximum	37"	37"
Height Minimum	30"	30"
Adjustable Thickness Gauge	Up To 3/8"	Up To 3/8"
Maximum Product Size	6"x9"	10"x13"
Electrical	120 VAC / 240 VAC	120 VAC / 240 VAC
Drive Motor	Variable DC	Variable DC
Warranty	2 Year Limited	2 Year Limited

All Specifications are subject to change.

SPECIFICATIONS & APPLICATIONS



► Sure-Feed's Belt Turnovers come standard with Variable Speed, adjustable height, jam detection and safety covers.



A Belt Turnovers takes product coming from an in-line inserter and flip it over. This prepares the newly inserted envelope for multiple applications.

► simply innovative



SURE-FEED ENGINEERING

12050 49th STREET NORTH, CLEARWATER FL. 33762-4301
 PHONE: 727.571.3330 FAX: 727.571.3443 TOLL FREE: 1.800.INSERTER

visit us on the worldwide web at :www.sure-feed.com
 e-mail: sales@sure-feed.com